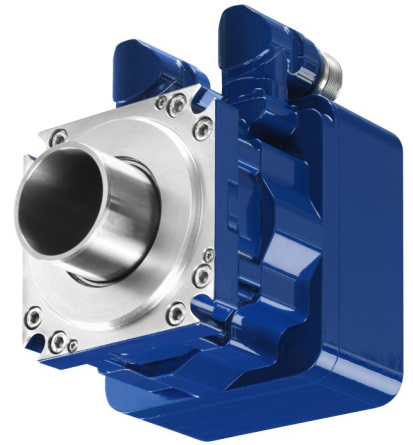


# ULTRA COMPACT MOTORS



## HSM Hollow Shaft Motors

### Compact

- Ultra Compact Design
- Integrated Feedback
- Hollow shaft up to 40mm
- Easy mounting

### Reliable

- Maintenance free
- Robust construction
- High protection class
- Accurate positioning

### Powerful

- High torque
- Low inertia
- High torsional stiffness
- Low weight



### Industries

- Military
- Marine
- Robotics
- Manufacturing
- Automotive
- Construction

The HSM Hollow Shaft Motors have the same excellent power and torque density properties as the solid shaft motors, but with a 30mm diameter hollow shaft (up to  $\varnothing 40\text{mm}$  as option). The hollow shaft allows for example axles, cables, fluids or laser beams to be passed through the motor.

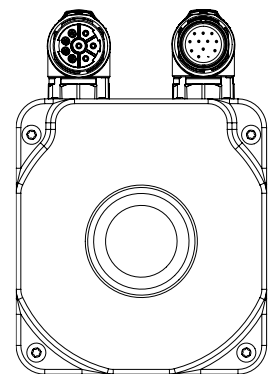
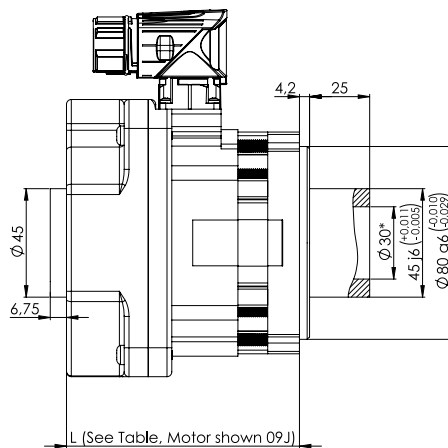
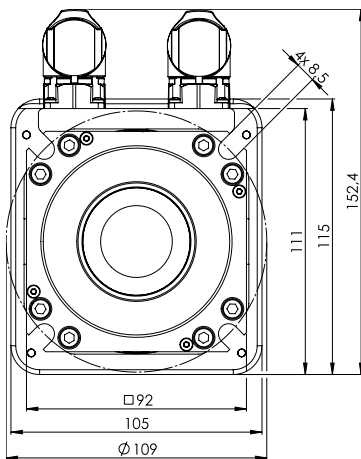
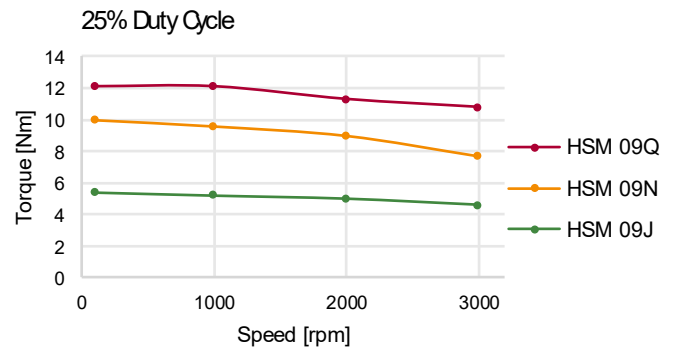
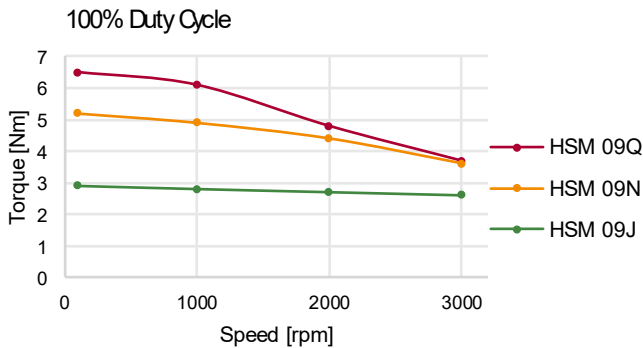
The motors have 92 frame size and a torque range from 2.6Nm to 6.5Nm (low speed), rated 3000rpm and wound for 230 or 400VAC. The HSM motors comes as standard with Endat ECI/EBI-encoder.

All motors can be supplied with customized pin-out, measuring thermistor, protection level, air pressurized etc. Other customization like special flange, shaft length, windings, adaptation for ball screws etc. can be made on request.

Please see <http://www.hdd.se> for more details and other motor models.

## Technical data

Type	Torque		Speed n	Winding Ma (230 VAC)		Winding Pa (400 VAC)		Length		Mass [kg]	Inertia [kgcm <sup>2</sup> ]
	M0	Mn		I0	In	I0	In	w/o brake	with brake		
	[Nm]	[Nm]		[A rms]	[A rms]	[A rms]	[A rms]	[mm]	[mm]		
HSM09J	2.9	2.6	3000	4.4	4.0	2.6	2.3	96.9	-	3.3	5.1
HSM09N	5.2	3.6	3000	7.4	6.3	3.9	3.3	124.5	-	3.8	7.8
HSM09Q	6.5	4.8	2000	-	-	5.3	3.0	146.9	-	4.6	10.0



Specifications can be changed without notice. Reservation for printing error.